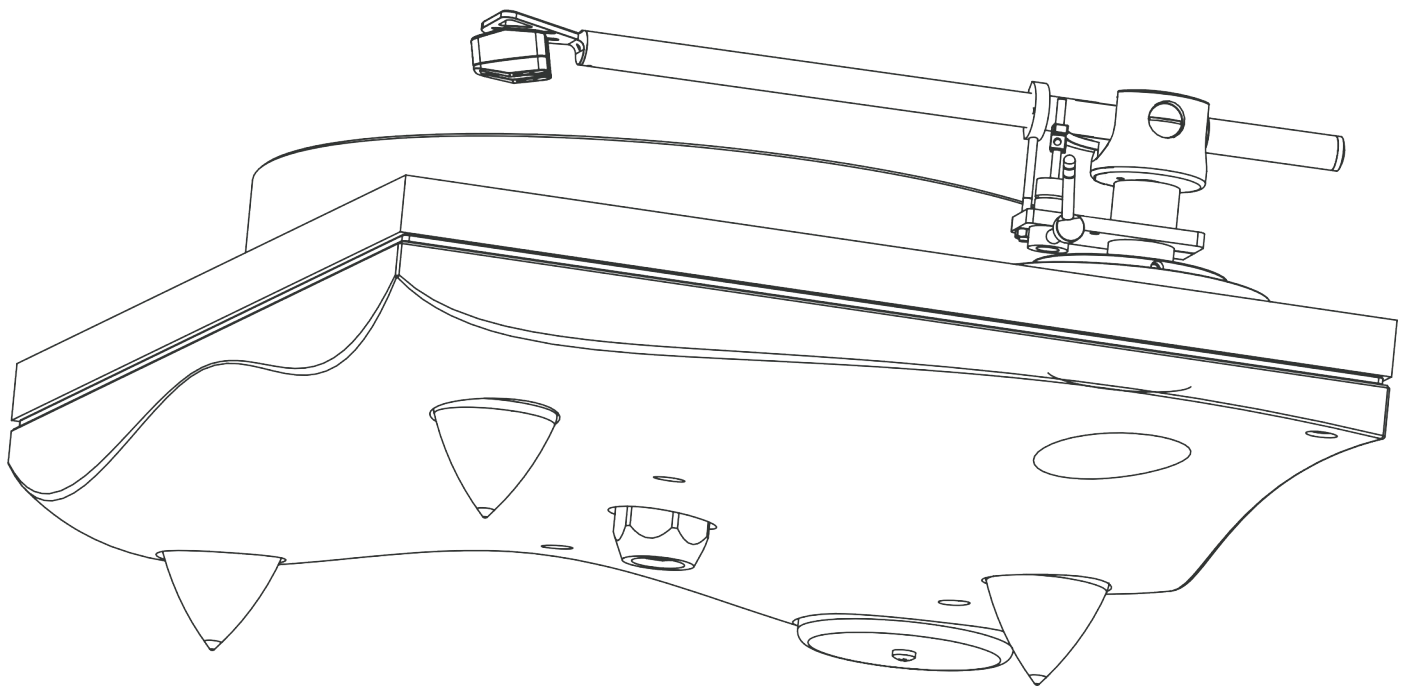


**GOLD NOTE**  
The Renaissance of Technology.



# Mediterraneo

## Italian Prestige Turntable

# IMPORTANT SAFETY INFORMATION



**CAUTION**  
RISK OF ELECTRIC SHOCK  
DO NOT OPEN



CAUTION: TO REDUCE THE RISK OF ELECTRIC SHOCK, DO NOT REMOVE COVER (OR BACK). NO USER-SERVICEABLE PARTS INSIDE. REFER SERVICING TO QUALIFIED SERVICE PERSONNEL.



The lightning flash with arrowhead symbol, within equilateral triangle, is intended to alert the user to the presence of uninsulated "dangerous voltage" within the product's enclosure that may be of sufficient magnitude to constitute a risk of electric shock to persons.



The exclamation point within an equilateral triangle is intended to alert the user to the presence of important operating and maintenance (servicing) instructions in the literature accompanying the appliance.



**Do not disassemble any part of the product.**

**Do not use any part of the product for other purposes.**

**For service and problems of any kind, contact qualified Gold Note personnel.**

**Protect the product from rain and humidity and keep away from heat sources, electric and electronic motors etc.**

**The power Chord supplied must be used only on this unit.**

**Gold Note does not have responsibility for any improper use of this unit**

This appliance has a serial number located on the rear panel.  
Please record the model and serial number and retain them for  
your records.

Serial Number: \_\_\_\_\_ Model: \_\_\_\_\_

# IMPORTANT SAFETY INFORMATION

- 1** Read the instructions.
- 2** Keep the instructions.
- 3** Heed all warnings.
- 4** Follow the instructions.
- 5** Do not use this apparatus near water.
- 6** Clean only with dry cloth.
- 7** Do not block ventilation openings.
- 8** Do not install near heat sources, such as radiators, heat registers, stoves, or other apparatus (including amplifiers) that may produce heat.
- 9** Do not defeat the safety purpose of the polarised or grounding type plug. A polarised plug has two blades of which one is wider.

A grounding type plug has two blades and a third grounding prong.

The wide blade or the third prong are provided for your safety.

If the provided plug does not fit into your outlet, please consult an electrician to replace the obsolete outlet.

- 10** Protect the power cord from being walked on or pinched, especially near plugs, convenience receptacles, and the point where they exit from the apparatus.
- 11** Only use attachments/accessories specified by the manufacturer.
- 12** Use only with the cart, stand, tripod, bracket, or table specified by the manufacturer or sold with the apparatus.

When a cart is used, use caution when moving the cart/apparatus combination to avoid injury from tip-over.

- 13** Unplug this apparatus during lightning storms or when unused for long periods of time.
- 14** Contact qualified personnel for service or any kind of intervention.

Servicing is required when the apparatus has been damaged in any way, such as:

power-supply cord or plug damaged, liquid spills, objects fallen into/onto the apparatus, when the apparatus has been exposed to rain or moisture or to any sort of action that causes damages to the apparatus.

- Do not expose this apparatus to drips or splashes.
- Do not place any objects filled with liquids, such as vases, on the apparatus.
- Do not install this apparatus in a confined space such as a book case or similar unit.
- The apparatus draws nominal non-operating power from the AC outlet with its POWER or STANDBY/ON switch not in the ON position.
- The apparatus should be located close enough to the AC outlet so that you can easily grasp the power cord plug at any time.
- The main plug is used as the disconnect device, the disconnect device shall remain readily operable.
- If the product features batteries (including a battery pack or installed batteries), they should not be exposed to sunshine, fire or excessive heat.
- Caution should be taken when using earphones or headphones with the product because excessive sound pressure (volume) from earphones or headphones can cause hearing loss.

# INTRODUCTION

The **beauty** and **technical innovation** of the **Mediterraneo** turntable clearly demonstrate **Italian** flair and distinction having an evident legacy of strong **Tuscan** origins where the traditional emphasis on beauty combines with the greatest attention to technical perfection.

The **Mediterraneo** design features a **60mm** thick curved plinth of aged original **Italian walnut hardwood (or lacquered MDF)**. Such unique woods are well known for their exceptional elasticity, strength and high density.

The **curved plinth** is wisely cut on the inner side to achieve the **perfect tuning** of the wood that is then interfaced with the **3mm stainless steel** board threaded to the massive wooden curved plinth in **18 strategic points**. Finally the structure is completed with the **20mm** black polished acrylic plinth that carries the recessed electronic boards and lower the frequency resonances as well.

The **curved wooden plinth** is the result of years of research at the **Gold Note engineering labs** in order to replace a bigger mass plinth of a more traditional rectangular shape structure; the **extra rigidity** given by the curves of the plinth allow a sophisticated technical design and a great exclusive look.

The turntable lays on **three massive aluminium adjustable spikes** designed specifically for the **Mediterraneo** in order to establish a solid and rigid coupling to the shelf.

The **Mediterraneo** features a new **12Volt synchronous motor** electronically controlled by the **PWM** design derived from the exotic **Bellagio** series.

The **PWM - Pulse Width Modulator** - transforms the power voltage in three steps, AC-DC-AC, enhancing the best coupling of the AC semi-waves to cancel motor resistance and vibrations allowing the highest motor torque at the same time.

The **Power Supply** electronically controls the **33 $\frac{1}{3}$  rpm**, the **45rpm** modes and the fine speed adjustment storing the selection permanently in memory even when disconnected from the **power**.

The new perfectly polished **hourglass** motor pulley also allows the turntable belt to spin smoothly thus reducing the **wow&flutter** and noise as never before.

The **80mm long platter Spindle/bearing** comes directly from the top quality design of the **Bellagio Reference**; it is fully recessed into the acrylic top plinth in order to keep the thick platter as closest as possible to the turntable structure to reduce **turbulences** generated by the rotation and achieving a **virtual zero vibration point**.

The platter is **45mm thick in black Polyvinyl**, a very elastic but deaf material, it features an extraordinary ability to **reduce vibrations** while the **high-mass** helps the **rotational stability**.

The **platter** is designed to operate at only **3mm** from the plinth. Such small **platter/plinth** interference minimise turbulences for the greatest noiseless functionality.

The **Mediterraneo** redefines the concept of capturing and enclosing the essence of **“air”** and **“ground”** into an audio item, two elements that inspired the design and sound of the turntable.

From the outset the **special shape** not only influences **sound performance** but also reminds of the **elegance** and **impetuous power** of **sea waves**.

The **choice** of materials shows a dedication to the **native ground** that goes beyond the **musical dimension** of the product to create a truly unique experience.

---

**Every Gold Note products is 100% proudly designed, manufactured and assembled in Italy**

---

# CONTENT AND KEY FEATURES

---

## WHAT YOU WILL FIND IN THE PACKAGE

---

- **1 TURNTABLE** plinth
- **1 DUST COVER** (detachable)
- **1 POWER ADAPTER** with 12V cable
- **1 B-5.1 TONEARM** with the cable already installed
- **1 COUNTERWEIGHT**
- **1 EXTRA COUNTERWEIGHT** to fit different cartridges
- **1 DRIVE BELT**
- **1 TURNTABLE CLAMP**
- **1 PLATTER SPINDLE TIP** to clamp the platter
- **3 SPIKE WASHERS**
- **1 OIL JAR**
- **1 ALLEN KEY 2,5mm**  
to block the ARM LIFT BOARD
- **1 ALLEN KEY 2,0mm**  
to remove the DIN PILLAR
- **1 ALLEN KEY 1,5mm**  
to adjust the VTA of the tonearm,  
to remove the LIFT CUEING  
to adjust the ANTI SKATE CYLINDER
- **1 ALLEN KEY 0,9mm**  
to adjust the TONEARM SHELL AZIMUTH
- **1 PROTRACTOR/OVERHANG** for cartridge alignment  
with STROBOSCOPE for fine speed adjustments
- **1 INSTRUCTION MANUAL**

---

## CONSTRUCTION FEATURES

---

This section describes the special features of the **Mediterraneo** turntable, the construction details, the reasons for the technical choices and the originality of the design.

- The **Mediterraneo** is rigid turntable that uses a plinth made of exotic Italian **Walnut** hardwood **60mm** thick plinth interfaced with a **3mm stainless steel** and **20mm acrylic** plinth.
- The **plinth bears three adjustable** giant aluminium feet made ensuring greater insensitivity to vibrations.
- The turntable platter is **made of 45mm thick Sustarin** a particularly deaf polymer

- The recessed Spindle allows the **platter to spin very close** to the turntable plinth in order to **reduce the turbulence caused by rotation**.

- The spindle is in **high quality machined stainless steel** and clamps the platter with its **conical shape**, it is **80 mm long** to ensure a top class performance.

A large longitudinal groove is located on its axis to allow the lubricating oil to run constantly. The longer spindle **eradicates any pendulum effect** and **distributes the inertial energy along its entire axis**, completely annulling any type of lateral friction.

- The **bronze bearing is rectified** to guarantee a smooth spindle rotational stability while a customised bottom platter bearing enables very low noise.

- The **platter bearing is threaded outside** in order to be tightly blocked to the plinth of the turntable on its own axis allowing a **precise coupling**.

- The **custom AC 12 Volt** electronically controlled motor allows **33 $\frac{1}{3}$ rpm & 45rpm electronic speed control** and **pitch adjustment**.

Besides the special motor guarantees a perfect rotation stability and great torque in complete silence.

# CONTENT AND KEY FEATURES

---

## MAIN FEATURES

- **WOW & FLUTTER** 0,1%
  - **RUMBLE** -80dB
  - **SPEED** 33 $\frac{1}{3}$  and 45rpm  $\pm$ 0,1%
  - **SPEED CHANGING** electronic with fine pitch control
  - **TRANSMISSION** 70 shores rectified black NBR belt
  - **MOTOR** synchronous 12 Volt High Torque externally powered
  - **PLATTER** Ultra Deaf Polyvinyl 45mm thick
  - **PLATTER SPINDLE** Special Split-Spindle™ clamping the platter
  - **PLATTER BEARING** 5mm Tungsten ball bearing with adjustable brass seat in finely polished bronze case
- 

## POWER

- **MAIN SUPPLY** 100V~ 115V~ 230V~ 50 or 60Hz (depending on market destination not convertible)
  - **POWER CONSUMPTION** 20 Watt
- 

## UPGRADES

- **EXTERNAL AC FILTER** Lucca AC Distributor
- 

## PHYSICAL

- **DIMENSIONS** 470x210x360mm (LxHxD)
  - **WEIGHT** Kg. 25,00
- 

## FINISHES

- **LOWER PLINTH**  
Walnut Hardwood or  
Black or White lacquered MDF 60mm thick
  - **UPPER PLINTH**  
Black Polished Acrylic with S/Steel
  - **METAL PARTS**  
Black (Silver on demand)
  - **PLATTER**  
Black
-

# SET-UP INSTRUCTION

## FIRST OPERATION

- 1) Please remove carefully all the protecting foam and check if all the listed items are supplied.
- 2) Place the turntable on a levelled surface, such as a wall shelf immune to footfall, then level the turntable.
- 3) Plug the DIN/RCA cable of the arm on the shaft female connector DIN side, hooking the RCA connectors to the amplifier phono input.
- 4) Install the counterweight into the rear arm wand of the arm selecting the correct cartridge tracking weight with the help of a precision scale (not supplied).
- 5) Install the turntable belt surrounding the hourglass motor pulley and the platter outer perimeter.
- 6) Plug the Power Adapter cable to the 12V rounded plug Turntable Speed Control and then plug the AC adapter to the AC plug once selected the right international plug supplied.

## POSITIONING THE MEDITERRANEO

Your MEDITERRANEO turntable has been designed for Hi-Fi systems.

It must be protected from direct sun and humidity.

Do not place it near heating sources, electrical and electronic motors, mobile phones etc.

The levelling and positioning on a solid shelf, as explained in the previous chapter, is fundamental to ensure the best audio performances.

## OPERATING THE 33 $\frac{1}{3}$ rpm & 45rpm CONTROL

The turntable is fully controlled by an electronic power supply

## TURNTABLE SPEED CONTROL ADJUSTMENTS

- Inner button starts and stops the 33 $\frac{1}{3}$ rpm speed.  
Once the 33 $\frac{1}{3}$ rpm is playing its red LED light turns on.
- Outer button starts and stops the 45rpm speed.  
Once the 45rpm is playing its red LED light will be on.

The Mediterraneo also features a fine speed adjustment “Pitch Control” function to allow a very fine and precise speed calibration.

## PITCH CONTROL MODE

To enter the PITCH CONTROL MODE press and hold for 4 seconds both 33 $\frac{1}{3}$ rpm and 45rpm buttons while the turntable is spinning.

When the red LED light shuts down, the unit is ready for the fine speed adjustment.

### • PITCH –

press repeatedly the 33 $\frac{1}{3}$ rpm button until the correct speed is reached.

The LED light flashes every time the button is pressed.

### • PITCH +

press repeatedly the 45rpm button until the correct speed is reached.

The LED light flashes every time the button is pressed.

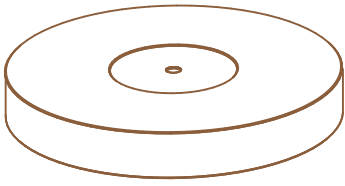
**To switch off** of the **PITCH CONTROL MODE** press and hold for 4 seconds both the 33 $\frac{1}{3}$ rpm and the 45rpm buttons until the LED light is on and steady again.

**SEE pag.10 for IMAGES**

The **TURNTABLE SPEED CONTROL** stores permanently in memory the adjusted speed for both 33 $\frac{1}{3}$ rpm and 45rpm even when the unit is unplugged from the AC power.

# INSTALLING THE PLATTER

To assemble the **platter** you are going to need:



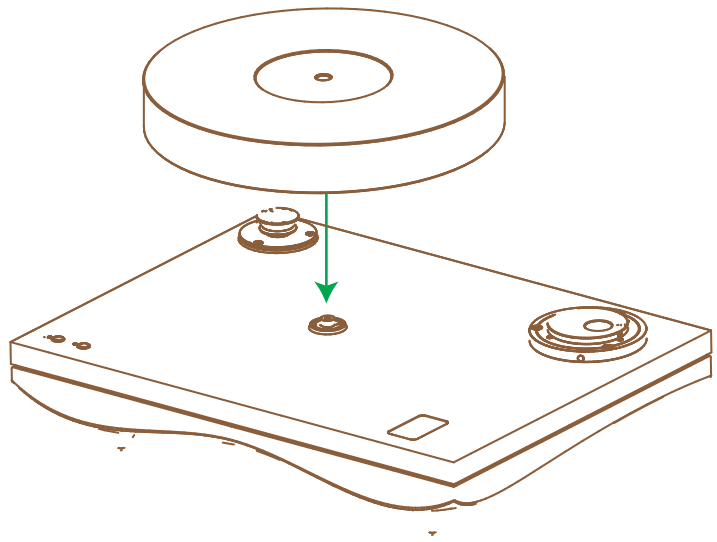
45mm platter supplied



Platter Spindle Tip

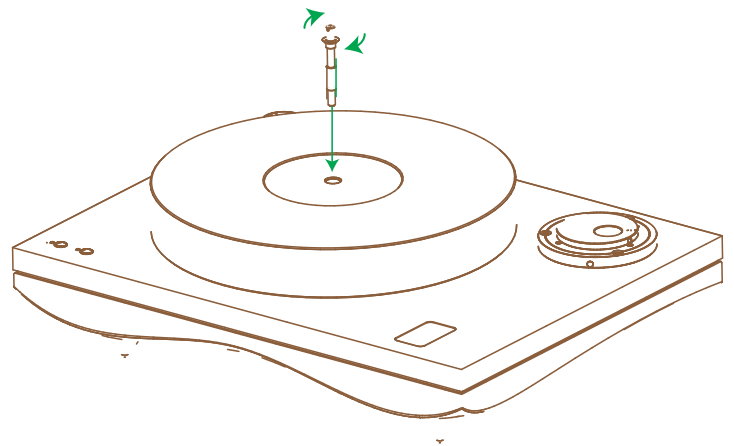
## STEP 1

position the platter on the turntable as shown in the picture: the platter should fit perfectly on the spindle flat surface.



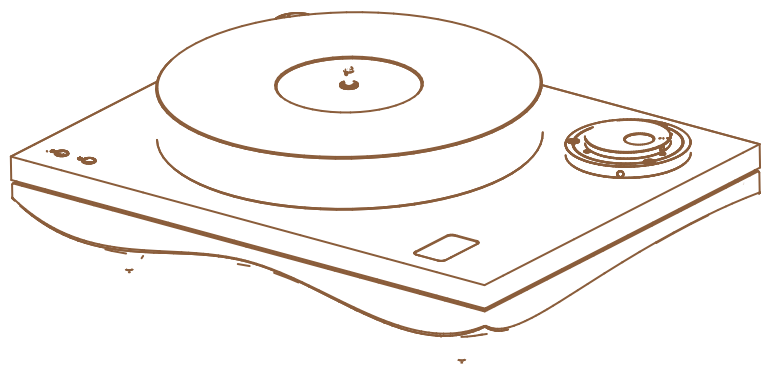
## STEP 2

thread the spindle tip as show in the picture to secure the platter to the turntable.



## STEP 3

the conical shape of the spindle tip must be firmly threaded and will clamp the platter to the plinth.





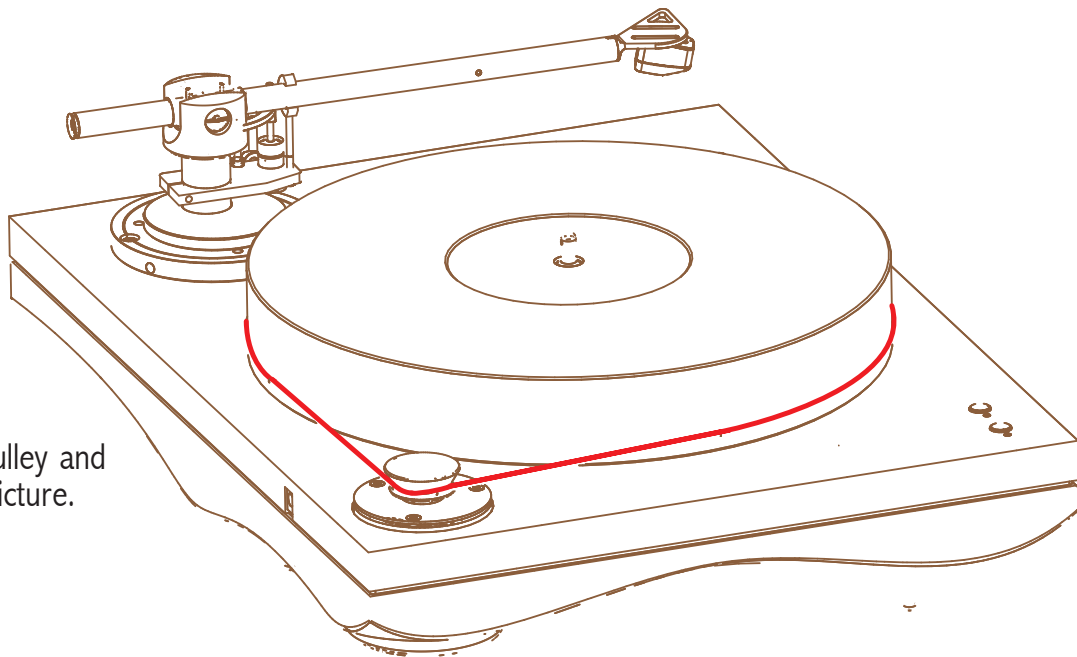
# INSTALLING THE BELT AND THE TONEARM CABLE

To install the **belt** you are going to need:

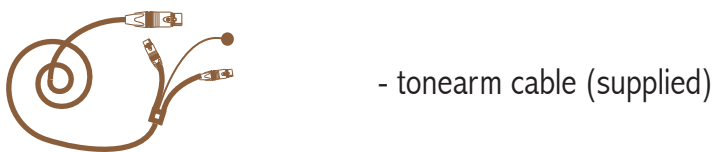


## STEP 1

Wrap the belt around the pulley and the platter as shown in the picture.



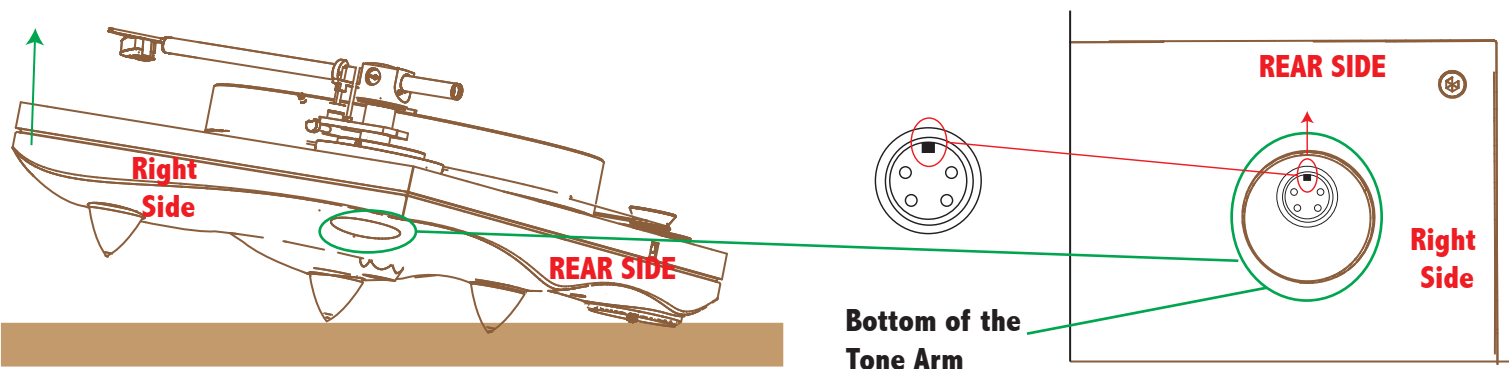
To install the **tonearm cable** you are going to need:



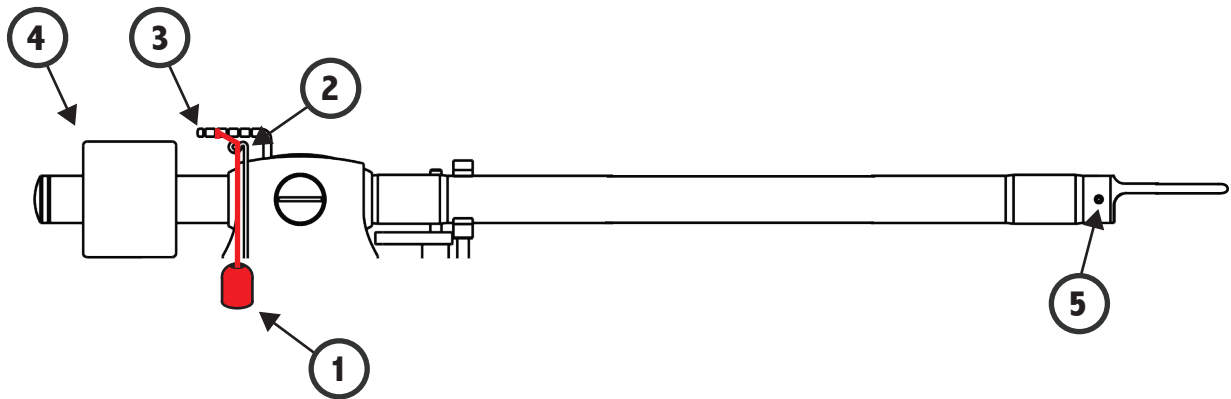
The tonearm cable should be always connected before the tone arm is installed on the turntable.

Always pay attention to the cable and make sure it is connected before placing the tonearm in position.

The Male DIN plug and the female DIN plug must be connected as shown in the picture below.



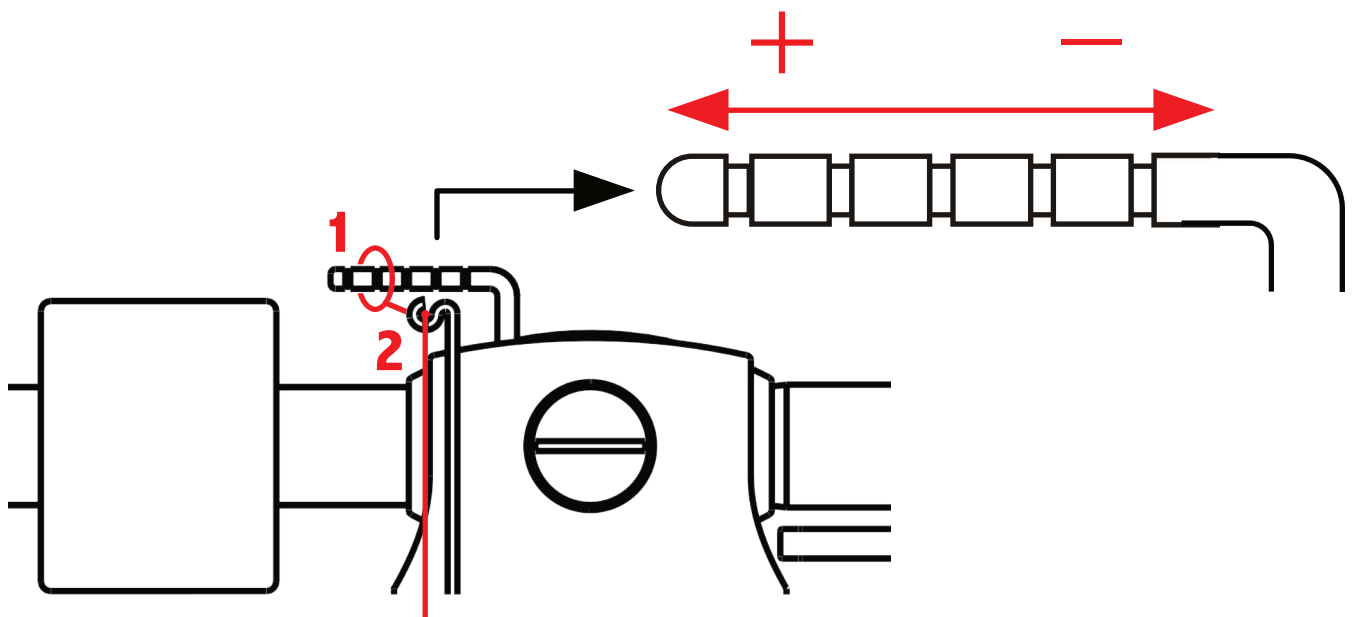
# ANTI-SKATING, AZIMUTH, COUNTERWEIGHT ADJUSTMENTS



- ① - ANTI-SKATING nylon wire with bullet counterweight
- ② - ANTI-SKATING support hoop
- ③ - ANTI-SKATING adjustment bar
- ④ - TONEARM COUNTERWEIGHT: to set up the correct tracking force depending on the phono cartridge in use
- ⑤ - SHELL AZIMUTH ADJUSTMENT: to adjust the alignment of the tonearm head-shell (0,9mm Allen Wrench)

## INSTALLING THE ANTI-SKATING SYSTEM

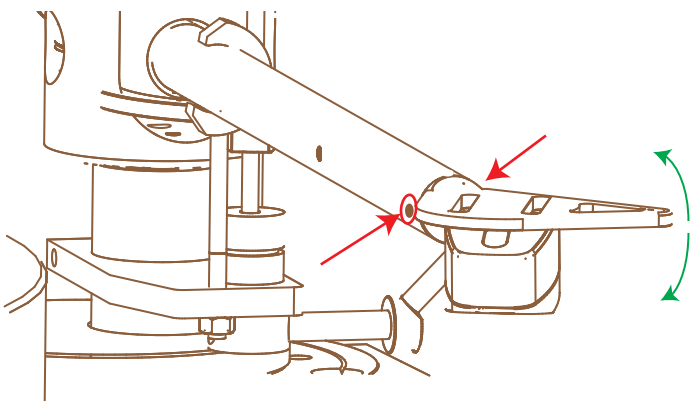
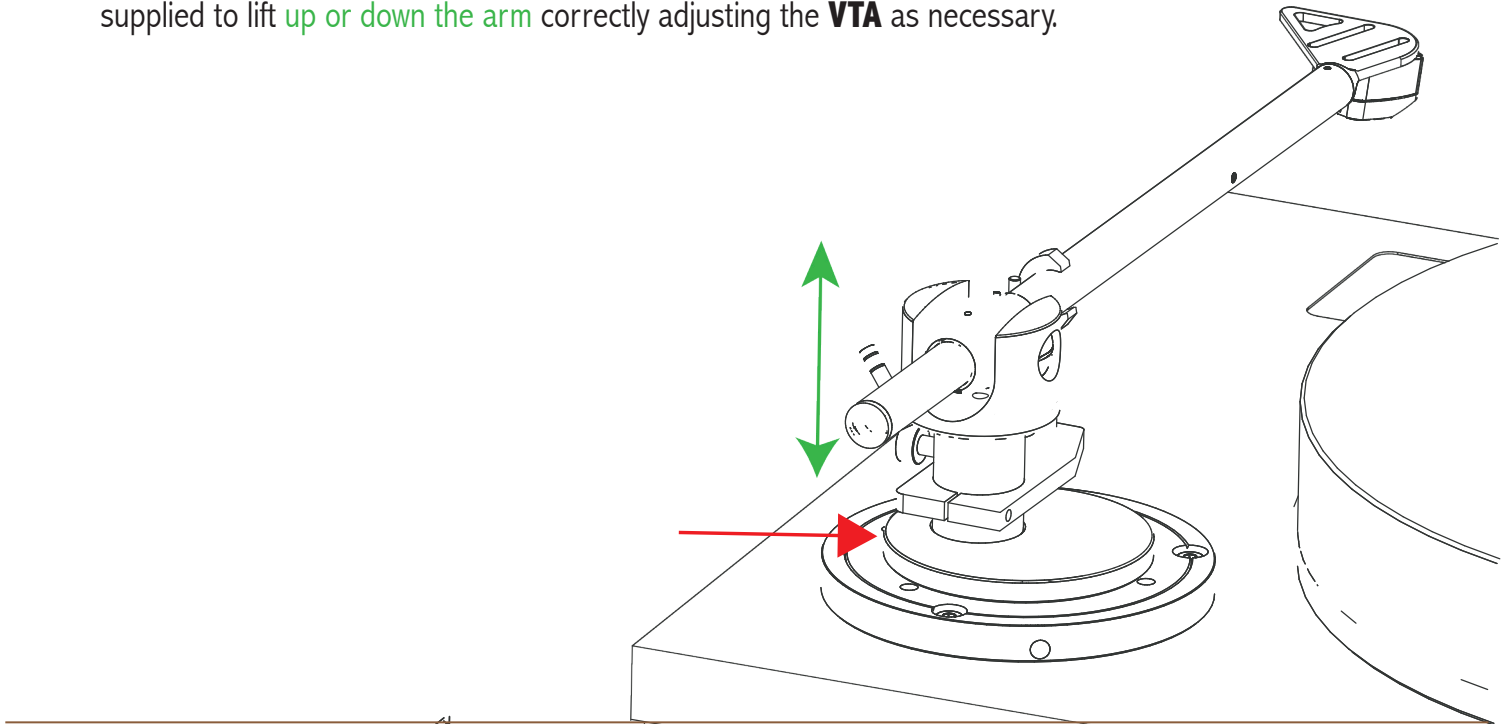
- 1 - Slip the loop of the ANTI-SKATING nylon wire over the groove of the ADJUSTMENT BAR
- 2 - Feed the wire through the loop of the SUPPORT HOOP
- 3 - Adjust the ANTI-SKATING force choosing the correct groove on the ADJUSTMENT BAR



# VTA SETUP

## VTA SETUP

Loose the **Hex-bolt indicated by the arrow** on the collar using the **1,5mm Allen Wrench** supplied to lift **up or down the arm** correctly adjusting the **VTA** as necessary.

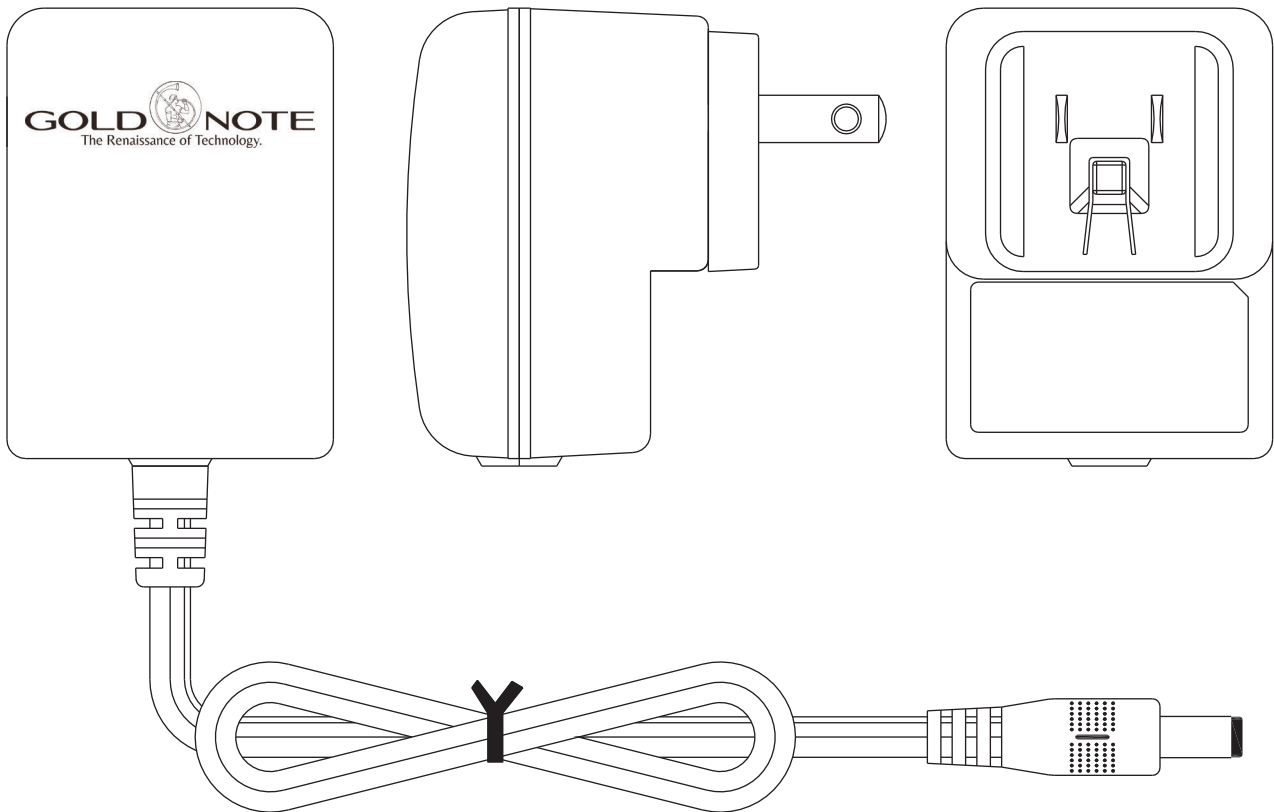


## AZIMUTH

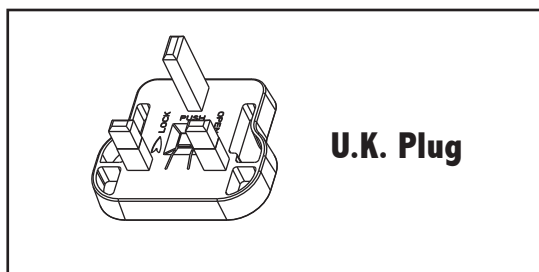
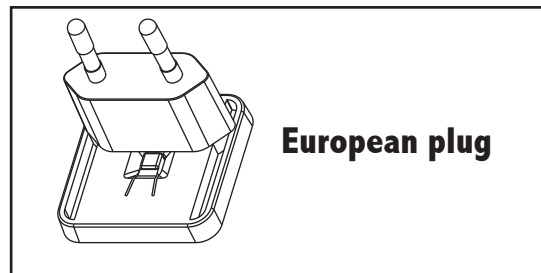
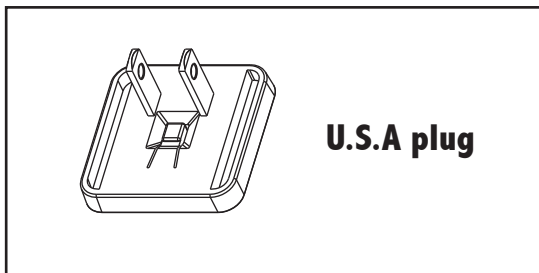
After the cartridge has been properly installed on the tone arm, adjust the **Azimuth** of the shell with the supplied **0,9mm Allen Wrench**.

Setting a correct Azimuth will provide a better audio performance.

# POWER SUPPLY

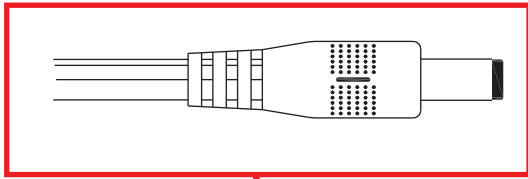


- **Power Supply Adapter AC Plug** it is necessary to use the correct AC plug based on your local area.



**PLEASE NOTE WELL:** Before plugging the AC adapter plug the round connector indicated here.

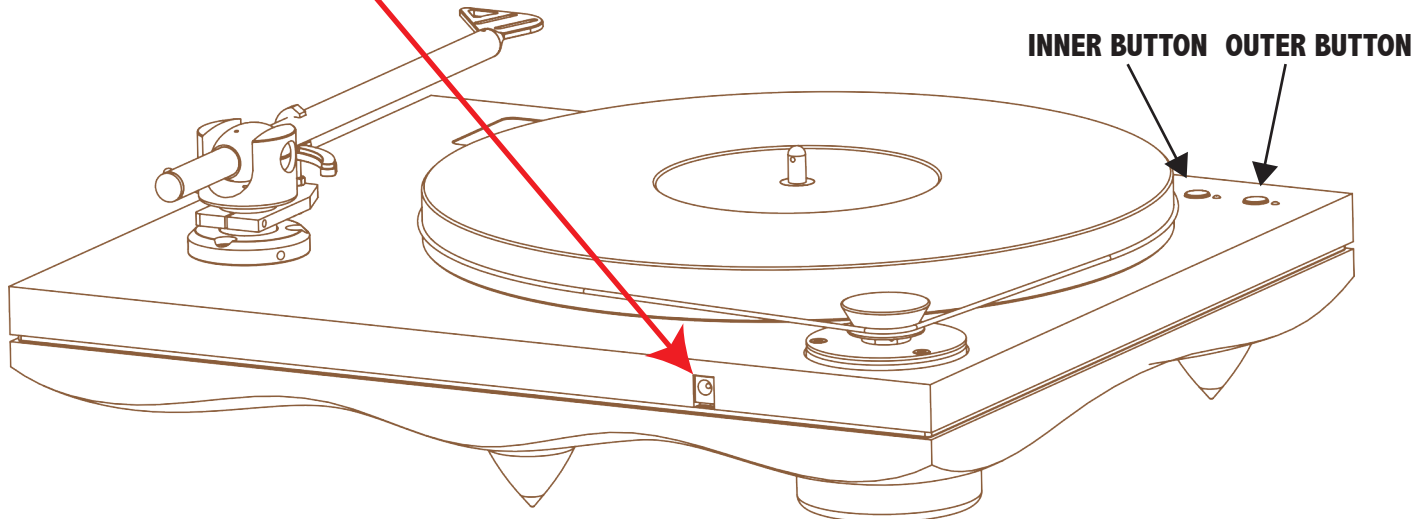
# POWER ADAPTER & SPEED CONTROL



## CONNECTING THE POWER SUPPLY ADAPTER

Use only the original GOLD NOTE AC adapter to power the turntable to ensure the correct functioning.

**PLEASE NOTE:** Before plugging the adapter in to the AC make sure the connector is plugged into the turntable.



## TURNTABLE SPEED CONTROL

- **INNER BUTTON** starts and stops the  $33\frac{1}{3}$ rpm speed. When the  $33\frac{1}{3}$ rpm is playing its red LED light turns on.
- **OUTER BUTTON** starts and stops the 45rpm speed. When the 45rpm is playing its red LED light turns on.

The Mediterraneo also features a fine speed adjustment “Pitch Control” function to achieve a precise control over the speed of the turntable.

## PITCH CONTROL MODE

To enter the **PITCH CONTROL MODE** press and hold for **4 seconds** both the  **$33\frac{1}{3}$ rpm** and the **45rpm** buttons while the turntable is spinning at  **$33\frac{1}{3}$ rpm** or **45rpm** until the red LED light shuts down. The unit is now ready to adjust the speed with the help of the stroboscope.

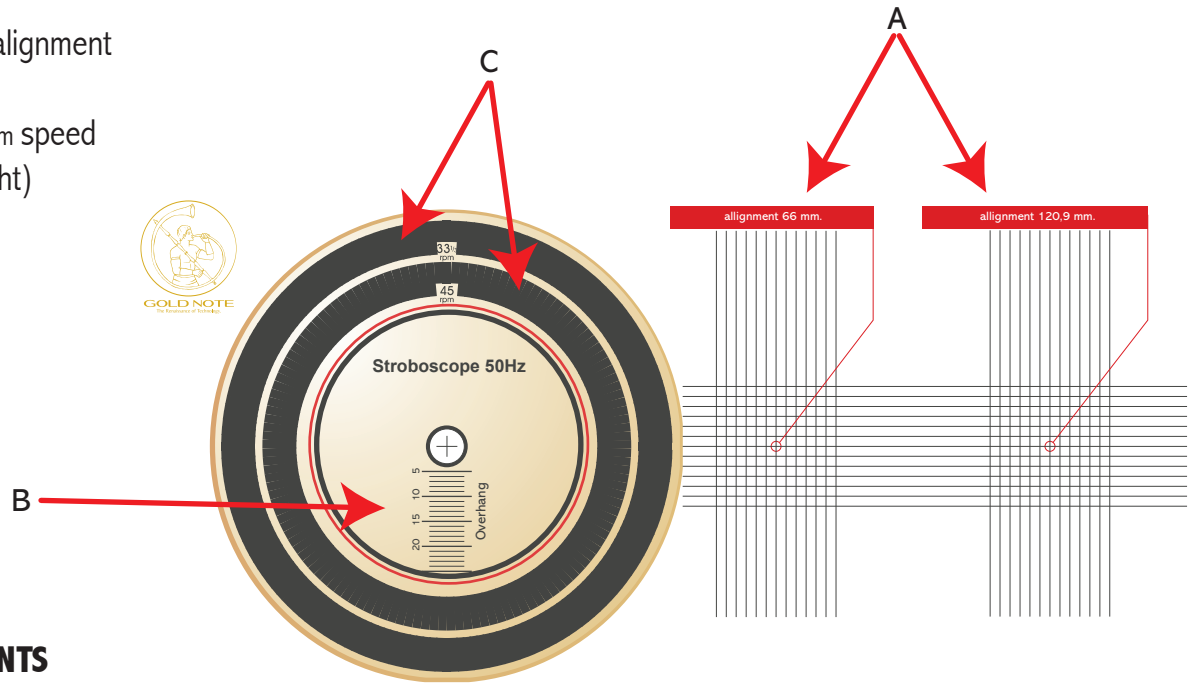
- **PITCH** – press in sequence the  $33\frac{1}{3}$ rpm button until the correct speed is reached. The LED light flashes every time the button is pressed.
- **PITCH +** press in sequence the 45rpm button until the correct speed is reached. The LED light flashes every time the button is pressed.

**To switch off** of the **PITCH CONTROL MODE** press and hold for 4 seconds both the  $33\frac{1}{3}$ rpm and the 45rpm buttons until the LED light is on and steady again.

# CALIBRATION: CARTRIDGE OVERHANG, ALIGNMENT & SPEED

Our turntables and tone arms are always supplied with the Gold Note Calibration Tool to calibrate correctly the setup. With this tool you will be able to adjust:

- A)** Phono Cartridge alignment
- B)** Overhang
- C)** 45rpm and 33 $\frac{1}{3}$ rpm speed (requires a strobe light)



## SPEED ADJUSTMENTS

Check the speed with the help of a strobe light (eventually a home NEON can also work).

When the speed is correct you will be able to see the sequence of black rectangular signs as if they were stable and fixed while the platter is spinning.

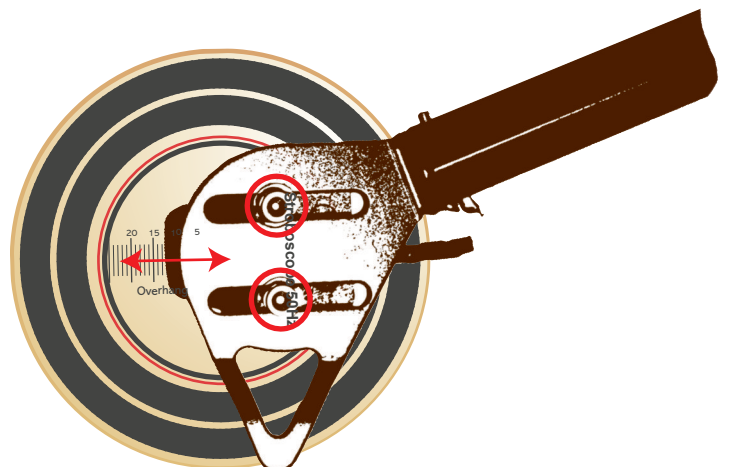
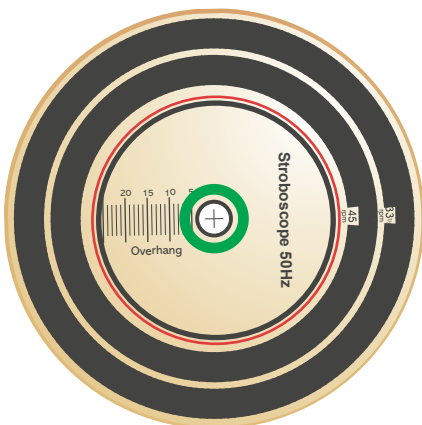
The outer line is to check the 33 $\frac{1}{3}$ rpm

The inner line is to check the 45rpm

## OVERHANG

To set the correct overhang the Calibration Tool must be inserted onto the turntable record pin and the cartridge Tip must be positioned on top of the pin.

Adjust the position of the cartridge until the suggested overhang of the phono cartridge is reached as indicated by the manufacturer.

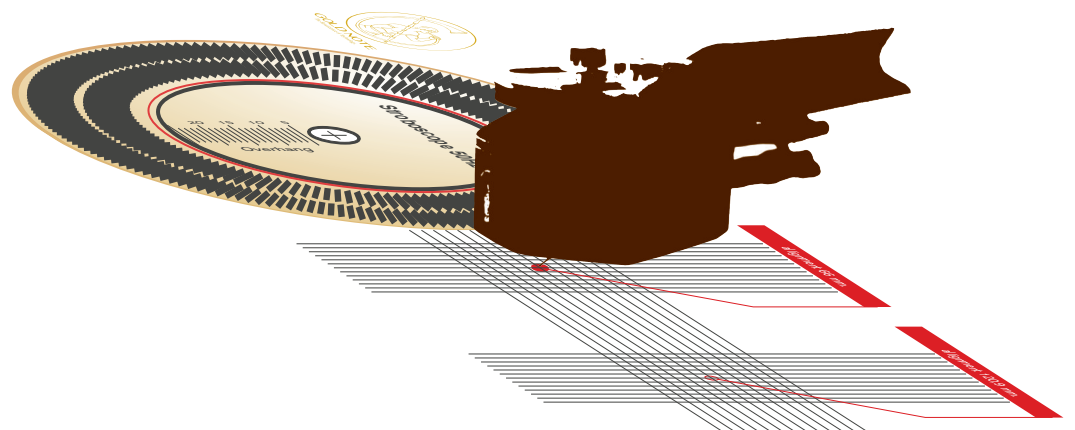
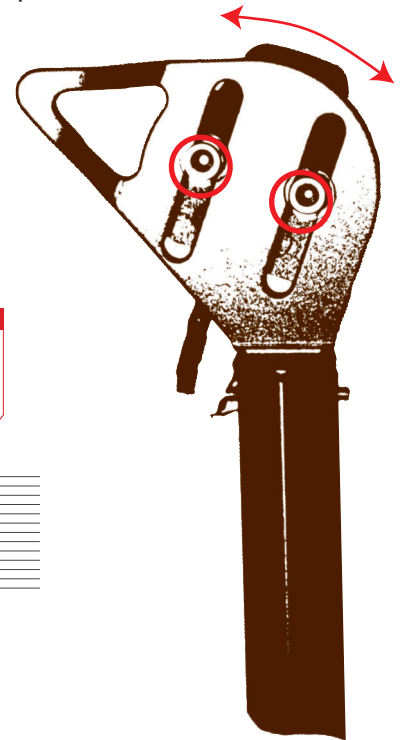
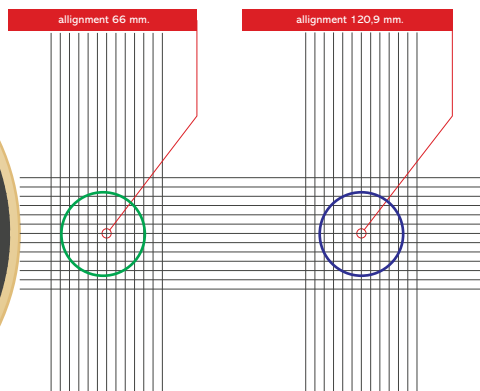
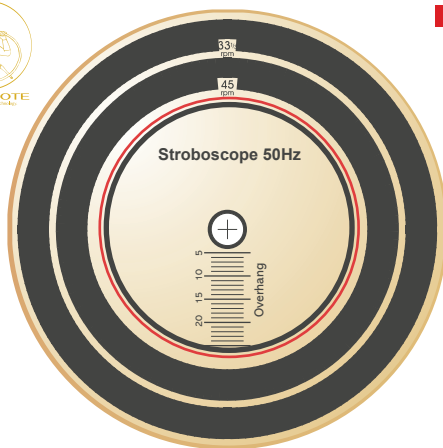


# CARTRIDGE ALIGNMENT

## PHONO CARTRIDGE ALIGNMENT

To correctly align the phono cartridge in order to achieve the best tracking position, point the tip of the phono cartridge into the red circle marked inside the Green and the Blue areas as indicated in the picture below.

The body of the phono cartridge must be aligned to the vertical stripes in order to achieve the best position for musical reproduction.



# DETACHABLE DUST COVER

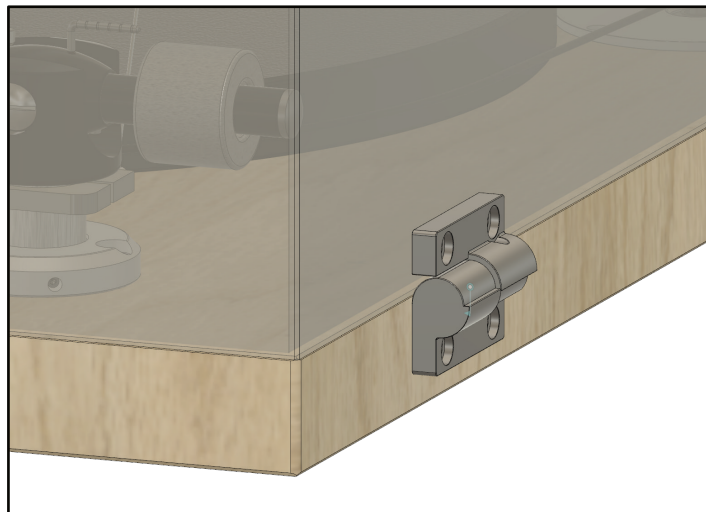
The new Gold Note dust cover features detachable hinges, a new proprietary design developed to let you enjoy your turntable at the best in any situation.

The new dust cover is incredibly versatile and allows the usage of the turntable with or without it.

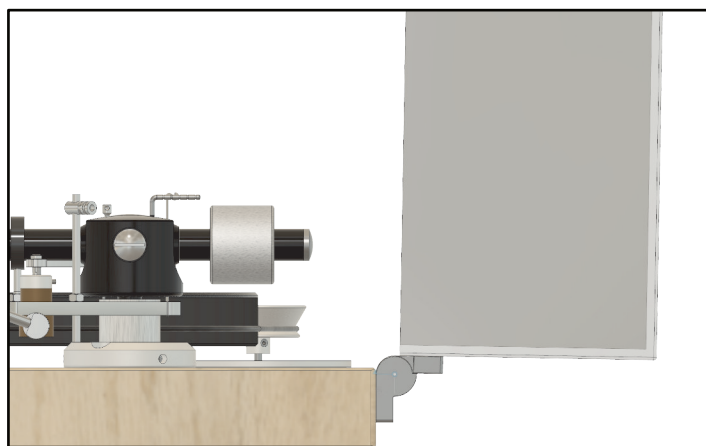
We are proud to offer this new solution to our clients to help them preserve their turntables in ideal functional and cosmetic conditions.

The new design also provides a stop point at about 90° to the dust cover: in this position it automatically stops and the hinges will hold the dust cover avoiding overturning.

**PICTURE 1**



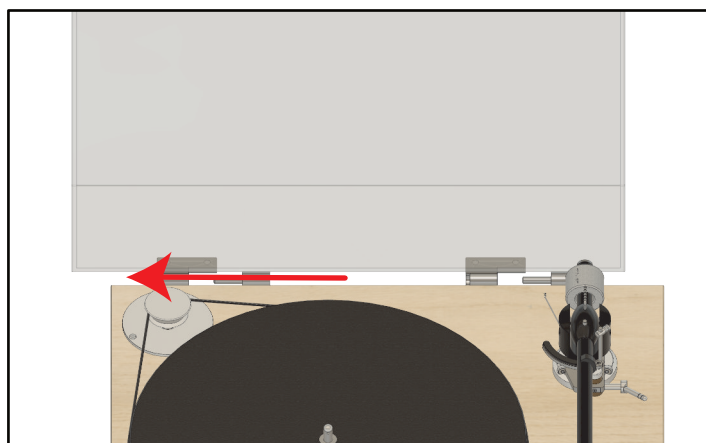
**PICTURE 2**



**PICTURE 3**

Removing the dust cover is simple and quick: lift the dust cover until it reaches the 90° stop point and it's completely opened, then gently slide it towards LEFT (facing the turntable) to detach it from the plinth.

**Please Note:** the dust cover can be removed and reinserted only when it's in its resting position, completely opened at 90°.





# WARRANTY

## WARRANTY REGISTRATION

To validate the warranty is necessary to register the unit on the **Gold Note** internet web site within **15 days** from the purchase on the appropriate area on our web site: **<http://www.goldnote.it>**

If the unit is not registered correctly or is been purchased from a different country of the purchaser origin/home the unit will not be covered by any warranty and the eventual registration refused.

### **The warranty does not cover in any case:**

tubes, phono cartridge styli and batteries.

---

## CUSTOMER SERVICE

All **GOLD NOTE®** products are the result of meticulous technological research, and consequently their correct functioning is guaranteed. In spite of this it is possible that problems may emerge which non-specialist users cannot resolve.

In this case, contact your dealer who will advise you on how to resolve the problem.

Do not return any object directly to the factory or to the national distributor or without being authorised to do so. In such cases both **GOLD NOTE®** and the distribution agents operating within your territory decline responsibility of any kind.

### **Please Note:**

Descriptions and technical characteristics may vary in any moment without notice.

# ADJUSTMENTS AND TROUBLESHOOTING

## ADJUSTMENTS

ACTION	DESCRIPTION	HOW TO ADJUST IT
LEVELLING THE TURNTABLE	the turntable is not levelled	<ul style="list-style-type: none"><li>• With a spirit level, only level the Turntable Platter through its shelf layer eventually screwing its feet just for very fine adjustment, take care of levelling the platter on its vertical and horizontal lines</li></ul>
	the turntable is not levelled	<ul style="list-style-type: none"><li>• Be sure that the turntable layer is enough solid and rigid to support the weight of the turntable easily</li></ul>
VTA & AZIMUTH ADJUSTMENT		<ul style="list-style-type: none"><li>• Refer to proper area of this manual for adjusting the VTA &amp; SHELL AZIMUTH correctly</li></ul>
CLEANING THE TURNTABLE	the Turntable is dirty and has to be cleaned	<ul style="list-style-type: none"><li>• With EXTREME care use ONLY very soft 100% cotton cloth to sweep dust and stains out. Any acid or not extremely soft cloth will irreversibly damage the turntable fine aesthetic. Do not use any alcohol to clean the turntable anodised label, pulley and motor spindle. Only dry cloth is allowed</li></ul>

## TROUBLESHOOTING

SYMPTOM	DESCRIPTION	CAUSE	REMEDY
MOTOR HEATING	the motor is too hot	<ul style="list-style-type: none"><li>• AC synchronous motors as the ones used by Gold Note may warm up to 50° Celsius without creating any problem</li></ul>	
MOTOR NOISE	The Motor produces a low scraping noise while spinning	<ul style="list-style-type: none"><li>•The pulley's shaft slightly touches the motor chromed plated cover</li></ul>	<ul style="list-style-type: none"><li>•Gently lift the pulley up a bit</li></ul>
	the motor produces a buzz noise while spinning	<ul style="list-style-type: none"><li>•The 3 stainless steel screws of the motor's cover are too tight</li></ul>	<ul style="list-style-type: none"><li>•Unscrew them enough to let the motor spins without making noise, they need just to be very gently screwed to the motor cover</li></ul>

For spare parts visit the official **Gold Note** store at:

**<http://www.akamaiaudio.it/>**

# FAQ AND TROUBLESHOOTING

<b>SYMPTOM</b>	<b>DESCRIPTION</b>	<b>CAUSE</b>	<b>REMEDY</b>
OIL POURING FROM THE BRONZE BEARING	Oil drops are coming out of the bottom of the platter bearing when the platter spindle is inserted	<ul style="list-style-type: none"><li>• The pressure created by the strict tolerance of the bearing/spindle system can force some oil out of the bottom of the platter bearing</li></ul>	<ul style="list-style-type: none"><li>• Clean the spilled oil. It won't come out again after the platter spindle has been perfectly positioned into the platter bearing</li></ul>
PLATTER WOBBLING	the platter wobbles on the edges	<ul style="list-style-type: none"><li>• The platter must be clamped firmly and tightly to the plinth in order to achieve a smooth and stable rotation</li></ul>	<ul style="list-style-type: none"><li>• Clamp the split-spindle tip into the platter and thread it with the help of a metal pin to get into the tip hole</li></ul>
SPEAKERS HUMMING	the speakers hum when the turntable is connected to the system	<ul style="list-style-type: none"><li>• The turntable CAN NOT be responsible for any hearable noise coming from the speakers</li></ul>	<ul style="list-style-type: none"><li>• The tonearm cable can present an issue: please check the grounding of the cable carefully</li></ul>

---

For spare parts visit the official **Gold Note** store at:

**<http://www.akamaiaudio.it/>**

---

# GOLD NOTE

**Via della Gora, 6**  
**Montespertoli (Florence) Italy - 50025**  
**Tel. + 39 0571 67500**  
**Fax. + 39 0571 675013**  
**[www.goldnote.it](http://www.goldnote.it)**